



ROLLER SHUTTERS

Standard heavy duty security roller shutters, also available in a thermally insulated version and a 4-hour fire-resisting version.

Roller shutter, standard

Curtain of 75mm curved galvanised mild steel cold-rolled interlocking laths.

Nylon endlocks on all laths with backplate to prevent lateral movement.

Barrel is electro resistance welded tubular section.

Galvanised steel guides, coil cover and bottom rail.

Options

Pneumatic sensing bottom safety edge.

Pass door.

Roller shutter, insulated

Curtain of galvanised steel hollow section laths with polyurethane insulation infill. Injection moulded Nylon-6 end fittings. Bottom edge of yellow extruded plastic section with rubber weather seal.

Options

Vision panels.

Anti-cut bars for added security.

Roller shutter, fire

Provides 4 hours fire resistance/protection, independently tested to BS 476: Part 22 Section 8.

Curtain as for standard shutter.

Heavy duty mild steel barrel with galvanised coil casing, end plates, guides and fixing angles. Powder coated bottom rail. Canopy as standard.

Options

Hand wheel.

Controlled descent in fire.

Fusible link. Link to fire alarm.

Sizes

Manual push-up operation up to 3m wide x 2.5m high; hand chain operation up to 4.5m wide x 4m high; powered up to 7m wide x 7m high.

Appearance

Standard shutters: galvanised. Optional external finish of Colorcoat Plastisol in any RAL colour.

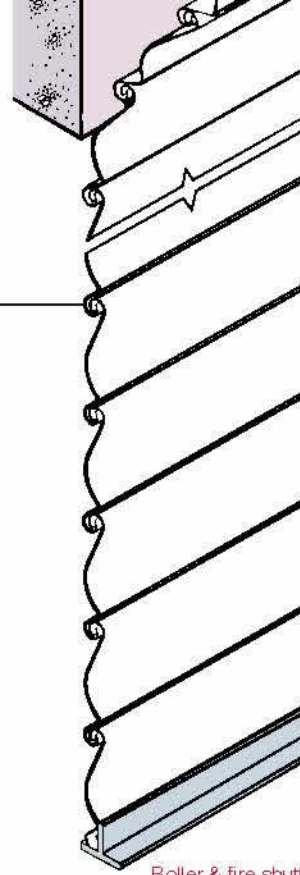
Fire shutters: optional external powder coating in any RAL colour.

Operation

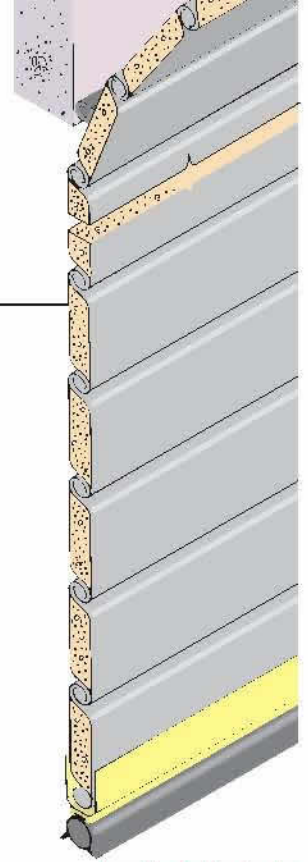
Manual by push-up or hand chain, or powered by 3-phase 415V 50/60Hz electric motor with manual opening in case of power failure.

Speed: up to 550mm/s.

Range of controls and automatic activators for powered doors.



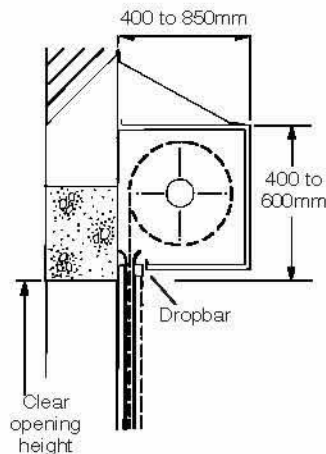
Roller & fire shutter



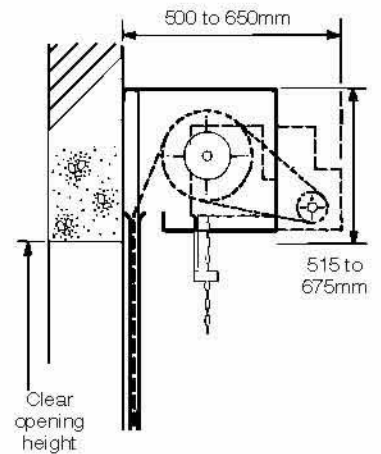
Insulated roller shutter

Installations

Roller shutter, fire



Roller shutter and Roller shutter, insulated



Roller shutter fire door



Insulated roller shutter door with viewing windows