

PCS ROLLER DOORS

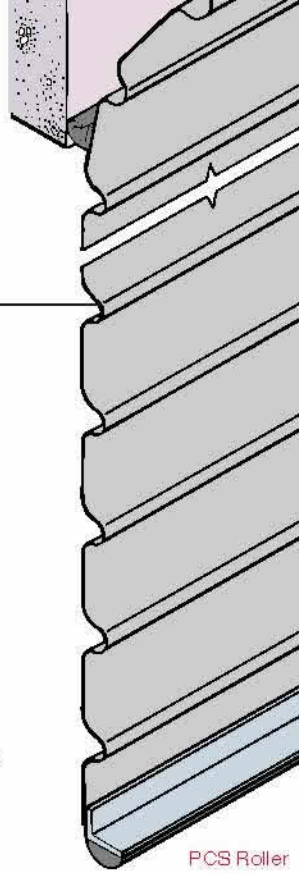
PCS roller doors have a continuous steel curtain with a special profile which can provide greater strength and security than a conventional roller shutter.

Also provides optional 4 hours fire protection.

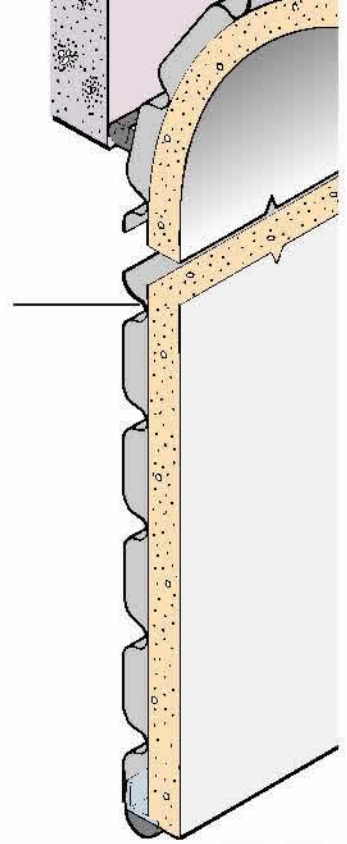
The doors are self-lubricating, quiet-running, and provide good protection from dust, water and vermin penetration.

PCS Insuroll door is a thermally insulated version.

Manufactured under a QA scheme to ISO 9002.



PCS Roller



PCS Insuroll



PCS roller door



PCS Insuroll door - internal face

PCS roller door, standard

Galvanised steel press-formed panels 915mm high, lock-seamed to form a continuous security door curtain. Rubber weather seal at bottom.

Galvanised steel side guides; special wind lock guides available for windy locations. Nylofelt bearing strip running within the guides giving quiet operation, requiring no lubrication.

Roller barrel with helical torsion spring counterbalance; sealed against the building; no coil cover required.

Standard locking by side shoot bolt.

Special steel fixing brackets suitable for all structures.

Options

Lexan vision panels with gasket seal, 550mm wide x 190mm high; maximum available one per metre width of door.

Pneumatic sensing bottom safety edge.

Pass door.

Additional security locks.

Fusible link for fire door.

PCS Insuroll door

Construction as PCS door with continuous 25mm thick polyurethane foam on the internal face.

Size

Standard maximum 5m wide x 5.5m high (3m x 3.35m for fire doors).

Appearance

Galvanised as standard. Optional external finish of Colorcoat Plastisol or powder coating in any RAL colour.

Thermal performance

PCS Insuroll door: U-value 0.59W/m²K with no cold bridging.

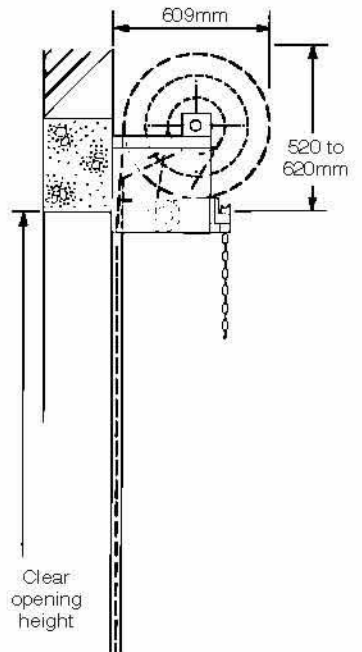
Operation

Manual by hand chain.

Powered by 3-phase 415V 50/60Hz electric motor. Speed 300 or 450mm/s.

Installations

PCS roller door (PCS Insuroll door is similar)



Clear opening height



PCS roller door - no barrel cover required